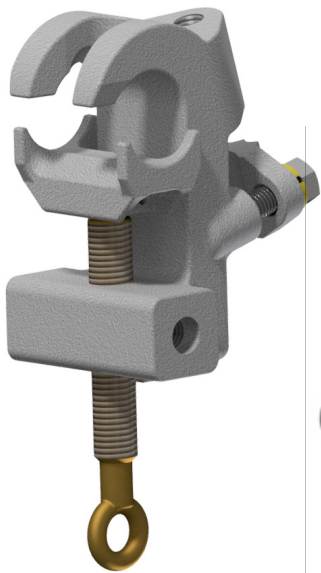


5H THREE-WAY UNIVERSAL GROUNDING CLAMP

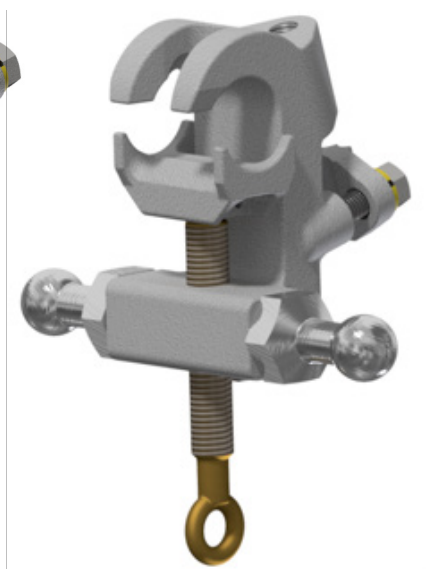
VERSATILITY FOR DIFFERENT CONFIGURATIONS AND CONNECTION POINTS

FEATURES AND APPLICATIONS

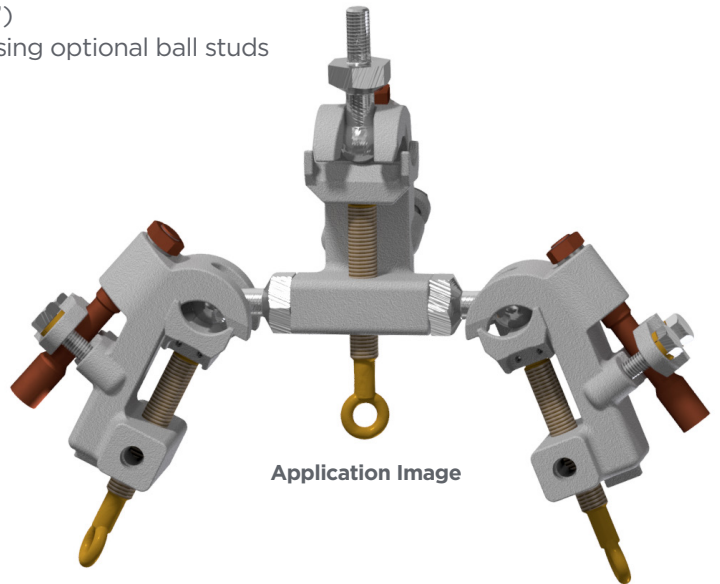
- Installs on ball stud (30mm) or conductor/bus (0.5" to 1.5")
- Provides single connection point for center phase when using optional ball studs
- Tapped for 5/8"-11 UNC threaded ferrule
- Tin-plated 30mm (1.18") Ball Stud (sold separately)



3-Way Clamp
(PSC6003626)



3-Way Clamp (PSC6003626) w/ two
Ball Studs (sold separately)



Application Image



30mm Ball Stud
(PSP6003513P)

CATALOG NO.	DESCRIPTION	WEIGHT
PSC6003626	5H Three-Way Universal Grounding Clamp	3.88 lbs (1.76 kg)
PSP6003513P	5H 30mm Ball Stud	0.91 lbs (0.41 kg)



Hubbell Power Systems, Inc. | hubbellpowersystems.com

© Copyright 2018 Hubbell Incorporated. Because Hubbell has a policy of continuous product improvement, we reserve the right to change design and specifications without notice.

