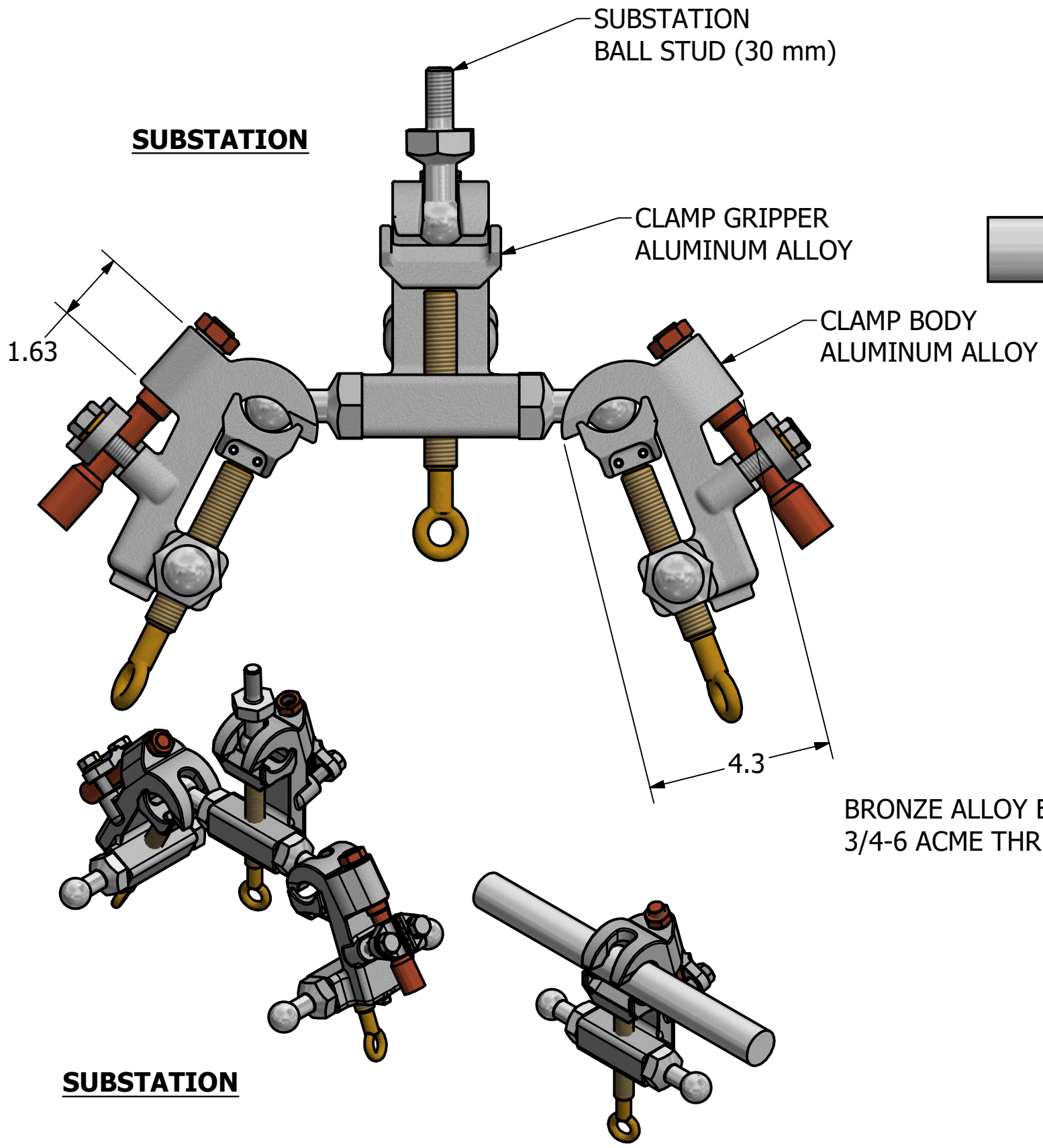


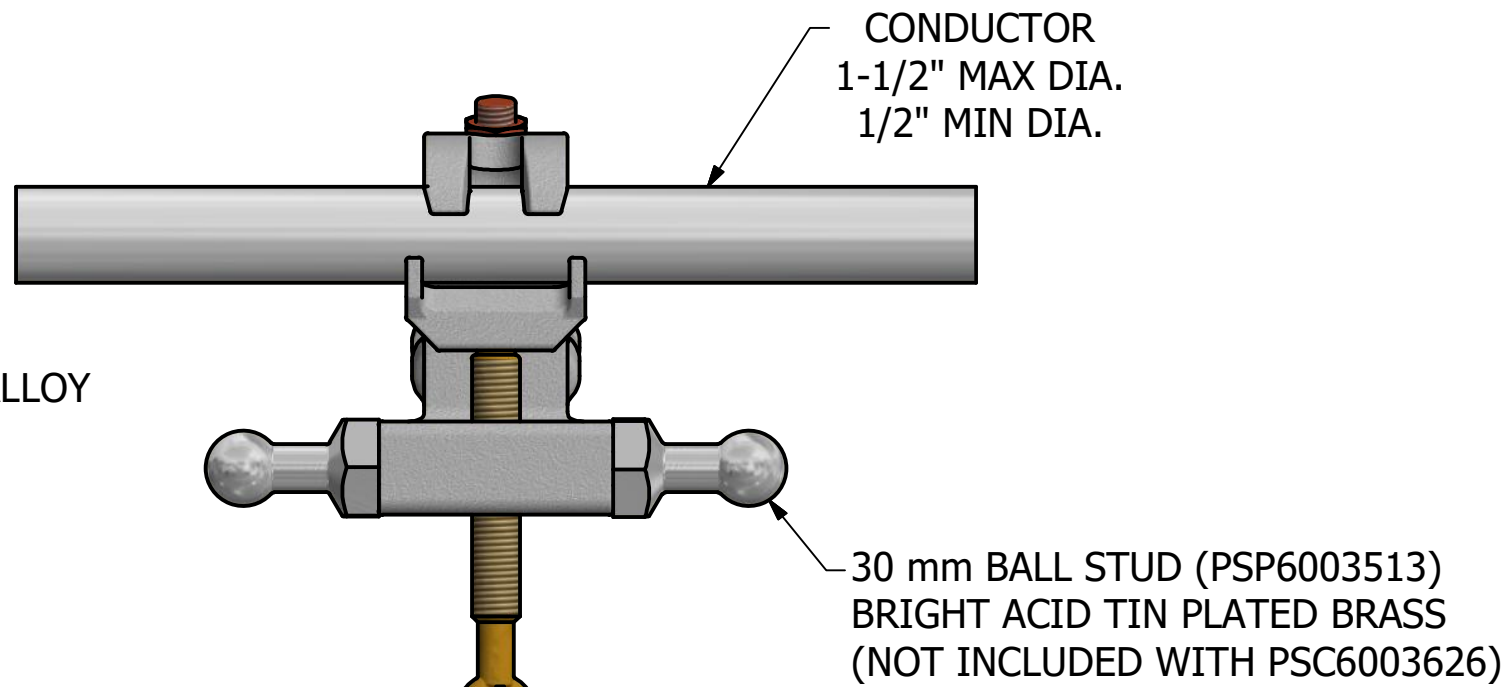
SUBSTATION



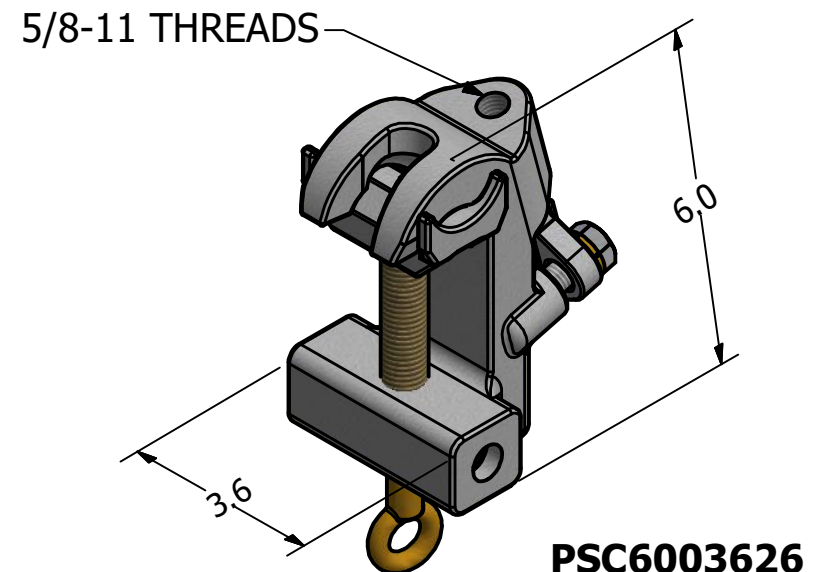
SUBSTATION

**BALL STUD MUST BE MOUNTED
INSIDE CLAMP HOOKS AS SHOWN**

CONDUCTOR



CONDUCTOR



CHANCE®



HUBBELL POWER SYSTEMS, INC.

TITLE

**3-WAY, 5H CLAMP
APPLICATION DRAWING**

CONFIDENTIAL: THIS DRAWING AND ITS CONTENTS ARE CONFIDENTIAL AND THE EXCLUSIVE PROPERTY OF HUBBELL POWER SYSTEMS. NO PUBLICATION, DISTRIBUTION, OR COPIES MAY BE MADE WITHOUT THE WRITTEN CONSENT OF HUBBELL POWER SYSTEMS. HUBBELL POWER SYSTEMS UNPUBLISHED ALL RIGHTS RESERVED UNDER THE COPYRIGHT LAWS.

SIZE B	CAT / PART / ASSY NO. PSC6003626	DWG NO. SA6003626	REV A
DO NOT SCALE THIS DRAWING	DRN BY RAM	DATE 2/20/18	SHEET 1 OF 1